

Hardware Installation Guide

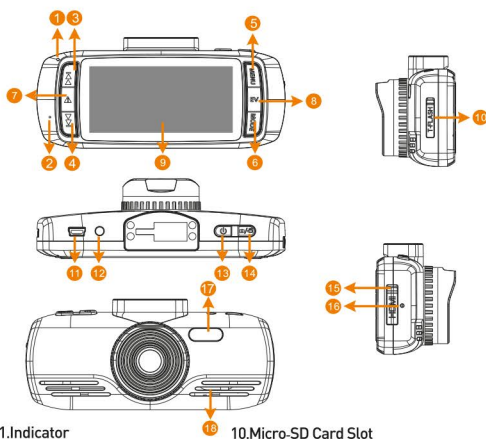
Thank you for purchasing Our company product, please following the instruction to use the device correctly.

Our company products are made of top materials to provide the best quality product with the best image quality to all customers.

Recording notes

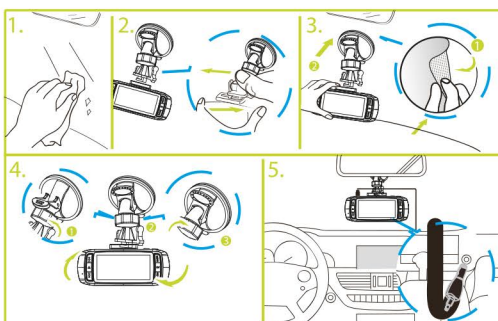
1. Recording in a car without film on windshield can ensure the best image recorded.
2. Please keep the windshield clean to prevent bad influence on image quality.
3. If windshield wiper can't clean the windshield, please replace it with a new one, or the image quality in the rainy day will be influenced.
4. Image quality will be better while recording in a sunny day, but please note in backlight position the image will be darker, it's the normal reaction while image sensor face the light straightly.
5. In order to present a better video and audio quality, we suggest using the following player software: Storm video, windows Media Player, QuickTime Player.
6. After the machine high and low temperature testing; But in order to ensure a longer life, summer heat inside the car, such as the machine without work, the proposed move to the shade.

Product Structure



- | | |
|--------------------------------|---|
| 1.Indicator | 10. Micro-SD Card Slot |
| 2. Microphone | 11. USB/Vehicle Charger Power Supply Port |
| 3. UP | 12. AV Output Jack |
| 4. DOWN | 13. Power switch |
| 5. MENU Key | 14. Video Recording/Camera/Confirm |
| 6. MODE/Mute Mode (Long press) | 15. HDMI Output Jack |
| 7. SOS Emergency File Lock | 16. Reset key |
| 8. EV Adjustment | 17. LED lamp |
| 9. 2.7-Inch TFT Display Screen | 18. Speaker |

Installation and Fixation



1. Please insert the memory card into the SD Card Slot with the specified direction, and then use the bracket to install the device inside the car.
2. When using the bracket, please choose the position carefully. Do not place the device in the position that blocks the driver's sight or affects the work of the airbags.
3. If there is any splotch, fingerprints or other kinds of smudginess on the windshield, please wipe clean it before installing.

Power On/Off

Please connect the vehicle cigarette lighter and start the engine, the device will be switched on immediately. When car engine stopped or car power disconnected, the device will shutdown in 10 seconds automatically.

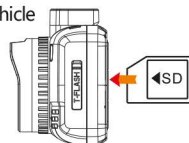
Notes

1. For the users whose vehicle cigarette lighter keeps power supplying after the engine stopped, please unplug the car charger before leaving the vehicle.
2. Please use Class 6 or above Micro SD card

Software Operation

Switch On

1. Insert the memory card
2. Connect the car charger into the vehicle cigarette lighter and the device
3. Start the vehicle.
4. The device be turned on, and start recording automatically.



Recording image



Standby Image



- | | |
|---------------------------------------|----------------------|
| 1. WDR works all time | 8. Power connected |
| 2. Recording image | 9. Motion Detection |
| 3. Recording mode | 10. Time |
| 4. Resolution | 11. Memory Card icon |
| 5. Loop recording in 3 minutes length | 12. Recording time |
| 6. Exposure | 13. Date |
| 7. Microphone | 14. White Balance |

Recording Settings

After stopped recording, press MENU to enter the recording settings.

WDR : Toggle on the WDR function.

Resolution : Set the recording resolution.

Exposure : Set the exposure value.

White Balance: Adjust for ambient light.

Record Audio : Toggle on or off the sound recording function.

Date Stamp : Toggle on or off the data stamp function.

Loop recording : Set the video length in recording cycle mode, or toggle off record cycle function.

Sensor : Set the sensitivity level of the G-sensor file protection .

Motion Detection : Toggle on or off the motion detection recording function.

License plate display: can display the registration number on the video.

Password setting: Set the system operation and to protect the password file security.

Image Rotation: Set the image rotation feature on or off.

System Settings

After stopped recording, press MENU twice to enter the system setup.

Format : Format the memory card; please backup your data before formatting.

Language : Support multiple languages; you can choose the language according to your preferences.

Date/Time : Set the system time.

Frequency : Support 50Hz and 60Hz .

IR LED : Switch on or off LED light function.

Beep Sound : Switch on or off the system beep indicator.

Screen saver : Set the screen automatic off time, or set it as always on.

TV Mode : You can toggle between NTSC and PAL when in video output mode.

Version : Check the system version number.

Default Setting : Reset all the settings to the default state.

Video Playback

Video-Play Operation

1. After stopped recording, press MODE to enter the video-play mode.
2. Press UP or Down to select the desired video to play.
3. Press CONFIRM to start playing video.
4. Press CONFIRM again to pause the video.

Delete Video

1. After stopped recording, press MODE to enter the video-play mode.
2. Press UP or Down to select the desired video to delete.
3. Press MENU, enter the menu to delete the video or delete all.

Play on Computer

Recommended PC requirements for 1080P 30fps video playing:

1. Intel Core 2 Duo 2.0GHz or above CPU
2. 2G or above DDRII RAM
3. Graphic card supports DirectX 10 or above